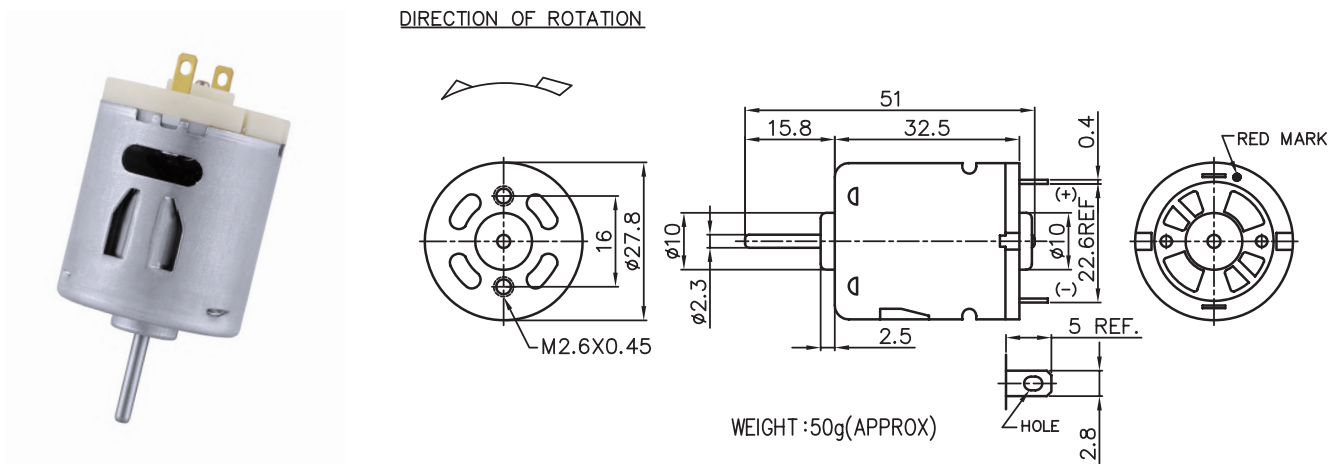


Application : Hair Dryer 、 Pump 、 Robot Vacuum

用途：吹風機、泵浦、智能吸塵機器人



MODEL	VOLTAGE		NO LOAD		AT MAXIMUM EFFICIENCY					STALL			
	OPERATING RANGE	NOMNAL	SPEED rpm	CURRENT A	SPEED rpm	CURRENT A	TORQUE g-cm	OUTPUT mN-m	EFF W	%	CURRENT A	TORQUE g-cm	TORQUE mN-m
MS5N-2445-R	6.0-12.0	12.0V CONSTANT	24500	0.50	18900	2.22	91	8.92	17.74	67	8.96	453	44.41
MS5N-1685-R	6.0-15.0	15.0V CONSTANT	16500	0.35	12151	0.99	66	6.47	8.20	57	3.26	277	27.16
MD5BN-14165-RC	12.0-24.0	12.0V CONSTANT	5200	0.11	3861	0.29	50	4.90	1.98	58	1.04	219	21.47
MD55BN-16130-RC	12.0-24.0	12.0V CONSTANT	6500	0.14	5118	0.47	54	5.29	2.84	52	1.69	257	25.20

馬達的出軸長度及性能參數，EMC 對策可依客人要求做調整，詳情可詢問相關業務人員。  
Please inquire your sales representative for output, performance and EMC solution.

