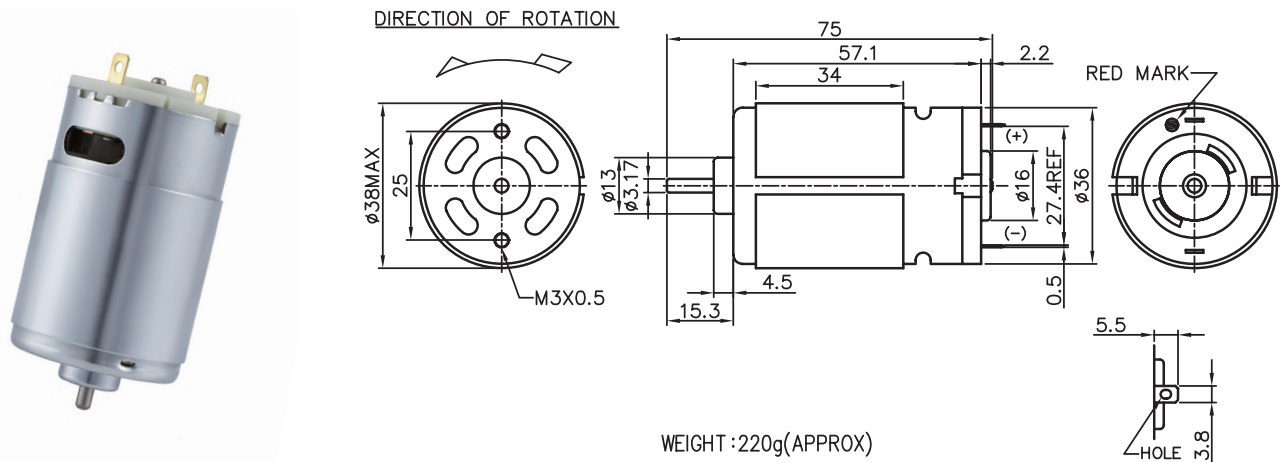


Application : Hair Dryer 、 Pump 、 Fan 、 Vending Machine

用途：吹風機、泵浦、風扇、自動販賣機



MODEL	VOLTAGE		NO LOAD		AT MAXIMUM EFFICIENCY						STALL		
	OPERATING RANGE	NOMNAL	SPEED rpm	CURRENT A	SPEED rpm	CURRENT A	TORQUE g-cm	TORQUE mN-m	OUTPUT W	EFF %	CURRENT A	TORQUE g-cm	TORQUE mN-m
KS5N-2490-R	6.0 - 24.0	12.0V CONSTANT	3000	0.18	2446	0.51	160	15.69	4.01	65	2.53	929	91.08
KDL5N-26110-R	18.0 - 36.0	24.0V CONSTANT	4600	0.13	3897	0.91	358	35.10	14.33	69	4.89	2314	226.86
KP5N-3732-R	6.0 - 20.0	12.0V CONSTANT	8400	0.80	6262	4.28	434	42.55	27.91	55	16.11	2002	196.27
KP5N-2682-R	12.0 - 36.0	24.0V CONSTANT	6600	0.20	5790	0.83	242	23.73	14.37	73	5.62	1927	188.92

馬達的出軸長度及性能參數，EMC 對策可依客人要求做調整，詳情可詢問相關業務人員。  
Please inquire your sales representative for output, performance and EMC solution.

