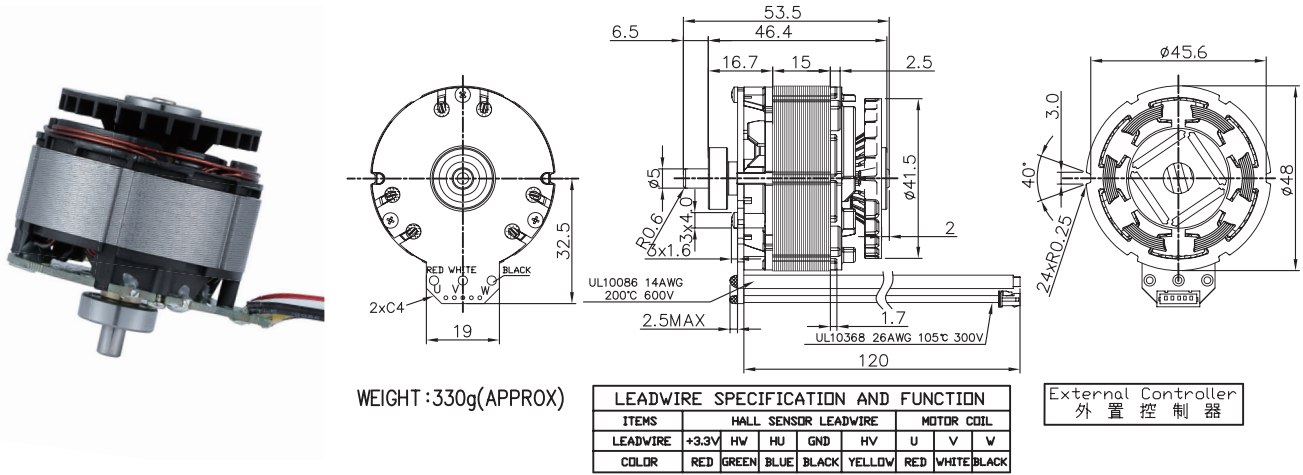


BL48F15

Brushless Dc Motor

Application : Electrical Tools

用途：電動工具



| MODEL | VOLTAGE | | NO LOAD | | AT MAXIMUM EFFICIENCY | | | | | STALL | | | |
|-----------------------------|-----------------|----------------|---------|---------|-----------------------|---------|--------|------|--------|-------|---------|--------|------|
| | OPERATING RANGE | NOMINAL | SPEED | CURRENT | SPEED | CURRENT | TORQUE | | OUTPUT | EFF | CURRENT | TORQUE | |
| | | | rpm | A | rpm | A | Kg-cm | N-m | W | % | A | Kg-cm | N-m |
| BL48F15S-18V16K180W-B1X0N | 14.4-21.6V | 18.0V CONSTANT | 16150 | 2.13 | 13966 | 14.37 | 1.28 | 0.13 | 183.73 | 78 | 92.37 | 9.38 | 0.92 |
| BL48F15S-21.6V21K240W-B1X0N | 14.4-21.6V | 21.6V CONSTANT | 20500 | 2.40 | 18051 | 15.42 | 1.30 | 0.13 | 240.99 | 73 | 98.59 | 8.73 | 0.86 |

馬達的出軸長度及性能參數，EMC 對策可依客人要求做調整，詳情可詢問相關業務人員。
Please inquire your sales representative for output, performance and EMC solution.

