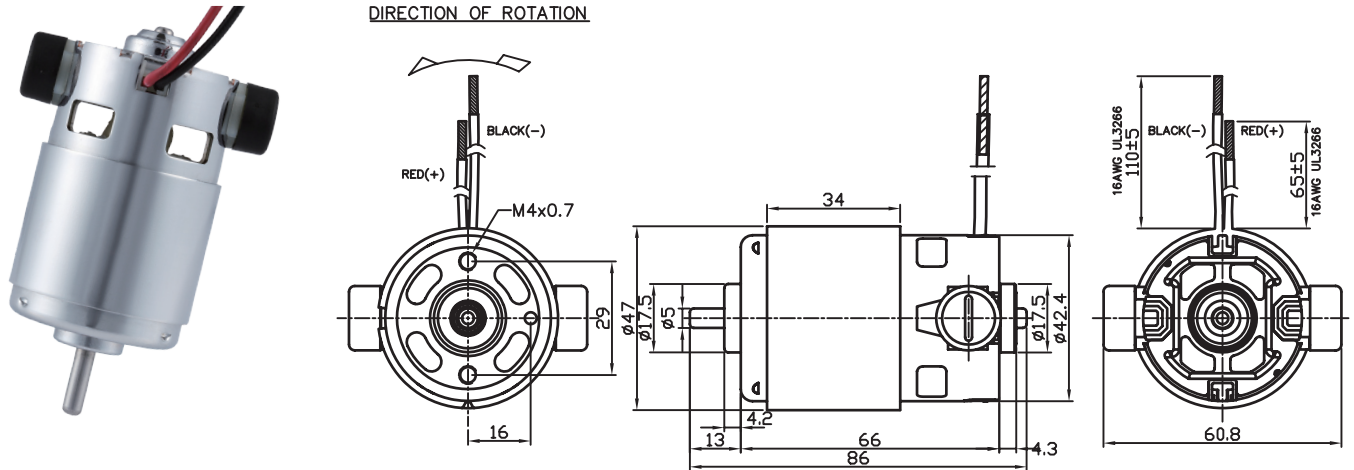


# 775BE

Carbon-brush motors

Application : Drill & Screwdriver

用途：電動工具



WEIGHT : 380g(APPROX)

MODEL	VOLTAGE		NO LOAD		AT MAXIMUM EFFICIENCY					STALL			
	OPERATING RANGE	NOMINAL	SPEED	CURRENT	SPEED	CURRENT	TORQUE	OUTPUT	EFF	CURRENT	TORQUE		
			rpm	A	rpm	A	g-cm	mN-m	W	%	A	g-cm	mN-m
775BE-8510F	6.0 - 12.0	12.0V CONSTANT	18500	6.00	15974	26.35	1397	136.96	229.17	75	151.75	9534	934.71
775BE-9509F	6.0 - 12.0	12.0V CONSTANT	22000	8.70	18416	32.86	1549	151.86	292.95	77	165.24	9310	912.75

馬達的出軸長度及性能參數，EMC 對策可依客人要求做調整，詳情可詢問相關業務人員。  
Please inquire your sales representative for output, performance and EMC solution.

